



American Samoa Power Authority

P.O. Box PPB

Pago Pago, American Samoa 96799

Telephone: (684) 699-3057

Email: procurement@aspower.com

Website: www.aspower.com



REQUEST FOR QUOTATIONS

SUPPLY & DELIVERY OF

35KV LINE HARDWARE MATERIALS

Issuance Date: January 27, 2025

Closing Date/Time: 2:00 PM February 07, 2025

APPROVED FOR ISSUANCE BY:

**WALLON YOUNG F.
ASPA Executive Director**

35KV Power Line Hardware Materials

Item	Materials	Catalog #	Qty
1	35KV Post Insulators	Hubbell power Systems, Vert, F-Neck, 80S028-0F09	200
2	Pole Top Insulator Bracket	Hubbell, IB3*	60
3	Long stud (Shank)	Joslyn, Part# J25248.1	200
4	Short stud(Shank)	Joslyn, Part # J25247.1	60
5	10ft Wooden cross arms	Brooks Manufacturing, Part#: REA-05FSNP	100
6	Wooden brace	Brooks Manufacturing, Part#:446-60-30	200
7	Bolt, Machine 5/8"x18" w/nut	Joslyn, J8818*E	100
8	Bolt, Double arming, 5/8"x26" w/nut	JOSLYN CAT # J8876	200
9	Bolt, Oval Eye 5/8" X 18"	JOSLYN CAT # J9418E	
10	Washers, Flat 2-1/4"x 2-1/4" x 1/4"x 11/16" (5/8")	Maclean CAT# J1075	1000
11	5/8" locknut, MF type	Joslyn, J8584	1000
12	Deadend Clamp, Straight line	Hubbell, Cat# BDE46C	200
13	35KV Epoxilators Veri-Lite	Silicone Polymer Clevis Tongue 35kV Deadend Insulator PDI-35, Part# 8010350215	100
14	5/8" Nut, Convention	JOSLYN CAT# J1092	100
15	STAPLES J-6652 COPPER COATED	Joslyn, J6652	50 lbs
16	Suspension Clamps	Bronze Suspension clamp, BRS100C, Cat No. CA101	100
17	Carriage Bolts	Maclean CAT # J8646	200

Quote should be CIF – Pago Pago

Line Post Mechanical and Electrical Characteristics

VLLP

kV	Post Style	Line	Base	Catalog Number	ANSI C29.18 Class	CEA LWI-WG-02 Class	"X" Dimension Inches (mm)	Line & Ground End Shed Dia. Inches (mm)	Intermediate Shed Quantity	Intermediate Shed Dia. Inches (mm)	Dry Arc Distance Inches (mm)
15	Horz	Clamptop	Gain	80S015-0100	51-31	LP-15	12.5 (318)	4.8 (121)	0		7.4 (188)
	Horz	Clamptop	3/4 - 10 Tap	80S015-0109	51-21		13.3 (339)				
	Vert	Clamptop	3/4 - 10 Tap	80S015-0209	51-11		12.8 (324)				
	Vert	F-Neck	3/4 - 10 Tap	80S015-0F09	51-1F		12.4 (315)				
	Vert	U-Clamp	3/4 - 10 Tap	80S015-0K09	--		13.2 (334)				
25	Horz	Clamptop	Gain	80S025-0100	51-32	LP-25	14.3 (362)	5.2 (132)	2	3.8 (96)	9.6 (244)
	Horz	Clamptop	3/4 - 10 Tap	80S025-0109	51-22		15.1 (383)				
	Vert	Clamptop	3/4 - 10 Tap	80S025-0209	51-12		14.5 (368)				
	Vert	F-Neck	3/4 - 10 Tap	80S025-0F09	51-2F		14.2 (360)				
	Vert	U-Clamp	3/4 - 10 Tap	80S025-0K09	--		14.9 (379)				
35	Horz	Clamptop	Gain	80S028-0100	51-33	LP-28M	16.5 (420)	5.1 (130)	4	4.6 (117)	11.7 (297)
	Horz	Clamptop	3/4 - 10 Tap	80S028-0109	51-23		17.4 (441)				
	Vert	Clamptop	3/4 - 10 Tap	80S028-0209	51-13		16.8 (425)				
	Vert	F-Neck	3/4 - 10 Tap	80S028-0F09	51-3F		16.5 (418)				
	Vert	U-Clamp	3/4 - 10 Tap	80S028-0K09	--		17.2 (438)				
46	Horz	Blade	Gain	80S046-0000	--	LP-46	19.2 (488)	7.1 (179)	6	4.4 (112)	14.4 (390)
	Horz	Blade	3/4 - 10 Tap	80S046-0009	--		20.0 (508)				
	Horz	Clamptop	Gain	80S046-0100	51-34		19.0 (482)				
	Horz	Clamptop	3/4 - 10 Tap	80S046-0109	51-24		19.8 (504)				
	Vert	Clamptop	3/4 - 10 Tap	80S046-0209	51-14		20.1 (510)				
	Vert	F-Neck	3/4 - 10 Tap	80S046-0F09	51-4F		19.5 (495)				
69	Vert	U-Clamp	3/4 - 10 Tap	80S046-0K09	--	19.6 (498)	LP-69M	7.5 (190)	8	5.2 (132)	22.3 (566)
	Horz	Blade	Gain	80S069-0000	--	25.8 (656)					
	Horz	Blade	3/4 - 10 Tap	80S069-0009	--	26.6 (676)					
	Horz	Clamptop	Gain	80S069-0100	51-36	25.6 (650)					
	Horz	Clamptop	3/4 - 10 Tap	80S069-0109	51-26	26.5 (672)					
	Vert	Clamptop	3/4 - 10 Tap	80S069-0209	51-15	26.8 (680)					
	Vert	F-Neck	3/4 - 10 Tap	80S069-0F09	--	26.1 (663)					
Vert	U-Clamp	3/4 - 10 Tap	80S069-0K09	--	26.2 (667)						

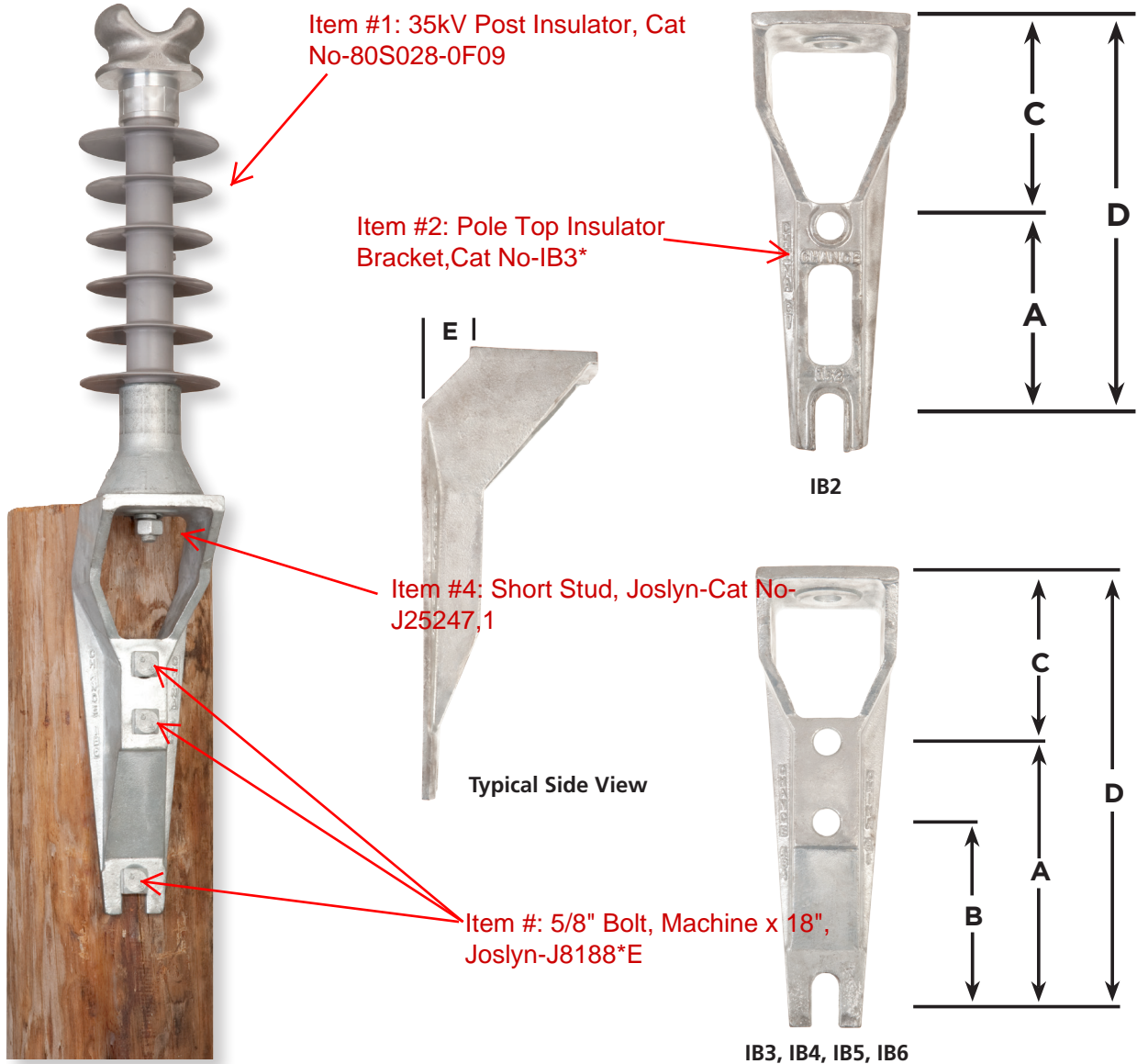
NOTES:

1. Maximum Design Tension for Clamptop is 2500 pounds (11 kN) - See addendum #1
2. 15, 25 & 28 kV Units use 1.5 inch (38 mm) Diameter Rod
3. 46 & 69 kV Units use 1.75 inch (44 mm) Diameter Rod
4. Maximum Design Tension for Teardrop Blade is 5000 pounds (22 KN)



Pole Top Insulator Bracket

VLLP

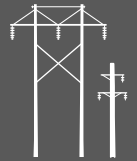


Mounts post or pin type insulator to top of pole. Variety of bolt hole locations for mounting to pole.

Catalog Number	Minimum Ultimate Bending Moment at Base	Accepts Insulator Stud Dia.	Accepts Mounting Bolt Dia.	Dim. A	Dim. B	Dim. C	Dim. D	Dim. E	Top Plate (width x depth)	Approx. Ship Wt. Each
IB2	20,000 in-lbs		5/8"	5"	N/A		10 3/4"	1"	3 3/4" Sq.	4.2 lbs.
IB3*	30,000 in-lbs			8"	5 1/4"	5"	13"	1 1/2"		6.2 lbs.
IB4	40,000 in-lbs	5/8" or 3/4"		8"	5 1/4"		13 3/4"	1"	4" x 3 3/4"	7.0 lbs.
IB5	50,000 in-lbs		5/8" or 3/4"	8"	5 1/2"		14"	1 1/4"	4" Sq.	9.8 lbs.
IB6	60,000 in-lbs			8"	5 3/4"	6"	15"	1 1/2"	4 1/2" Sq.	11.9 lbs.

* RUS Listed, eb - Bracket, pole top



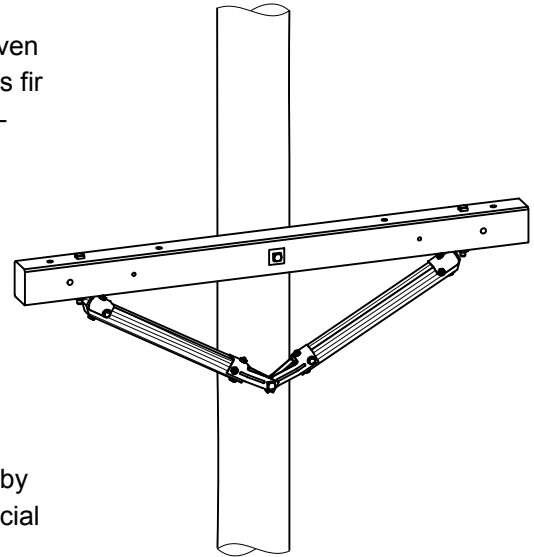


Wood Crossarm Braces

BROOKS engineered Wood Crossarm Brace designs utilize the proven dependability and reliability of select straight grained coastal Douglas fir combined with tested steel fittings. The fittings are hot dipped galvanized after fabrication. The tapped fitting designs ensure that the assembly hardware remains permanently tight and secure.

With over a half-century of providing quality products to the electric utility industry, BROOKS understands the strength and electrical qualities demanded by today's distribution systems. BROOKS braces are designed, tested, and manufactured to meet those requirements.

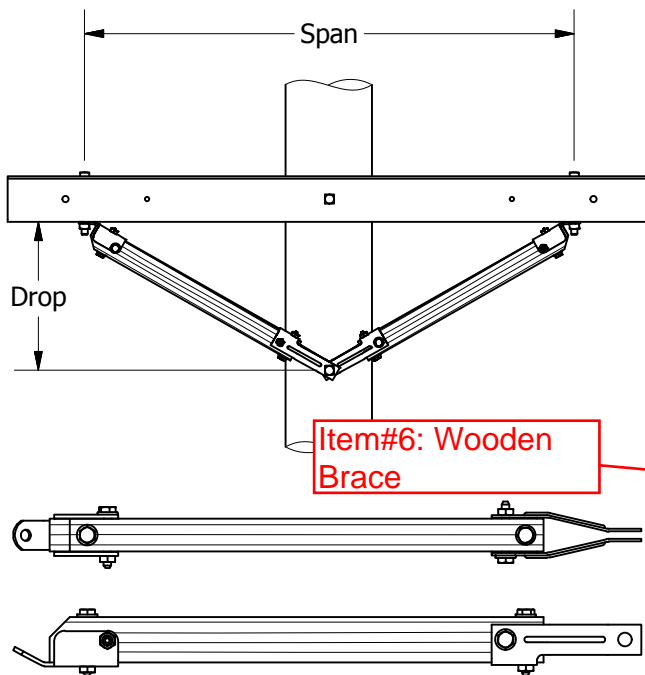
Catalog numbers listed in the product tables are for standard spans, drops, and mounting holes. For other applications, please describe by span, drop, and mounting hole size. Catalog numbers for these special applications are available on request.



446 Series Reversible Crossarm Braces

BROOKS 446 Series Reversible Braces combine all the benefits required of a distribution brace and will satisfy most distribution applications. It is strong, lightweight and can be furnished in a wide variety of spans and drops. The listed catalog numbers indicate pairs and standard hole sizes. The reversible feature allows for either the left or right hand installations.

Wood Section - 1⁵/₈" x 2¹/₄" Standard Holes - 9⁹/₁₆" arm, 1¹¹/₁₆" pole. Specify hole sizes if other than standard.



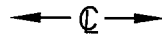
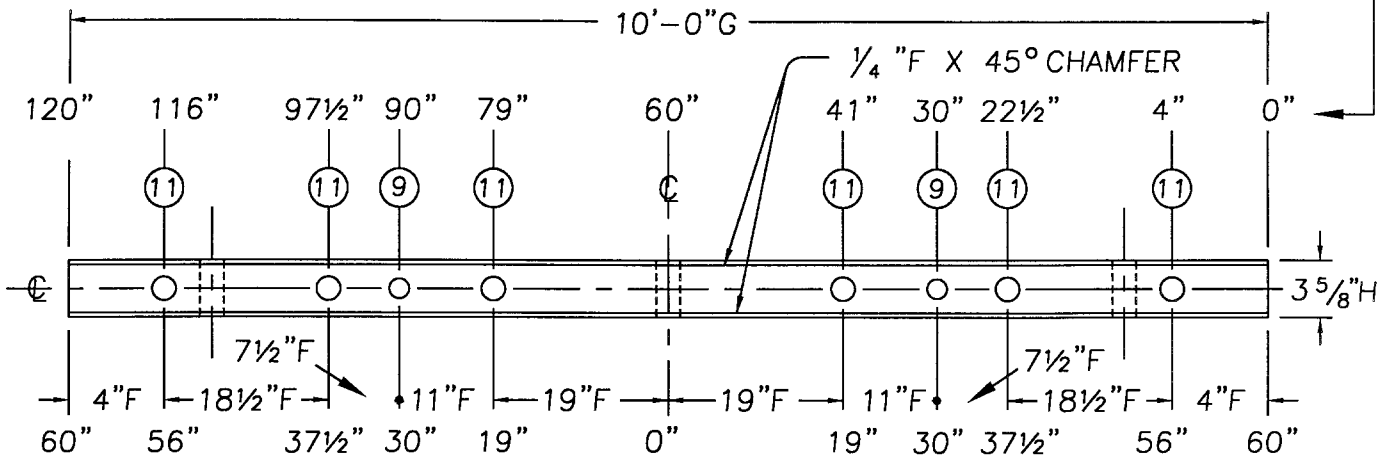
Catalog Number	Span	Drop	Approx. Wt. Lbs. Per Pair
446-37-12	37"	12"	7.0
446-37-184	37"	18 ¹ / ₂ "	7.8
446-42-12	42"	12"	7.4
446-42-21	42"	21"	8.1
446-48-14	48"	14"	8.1
446-48-18	48"	18"	9.0
446-48-24	48"	24"	9.2
◆ 446-60-18	60"	18"	7.7
◆ 446-60-30	60"	30"	8.8
446-72-22	72"	22"	10.2
446-72-36	72"	36"	10.2
446-86-33	86"	33 ⁵ / ₈ "	13.5

◆ REA Accepted

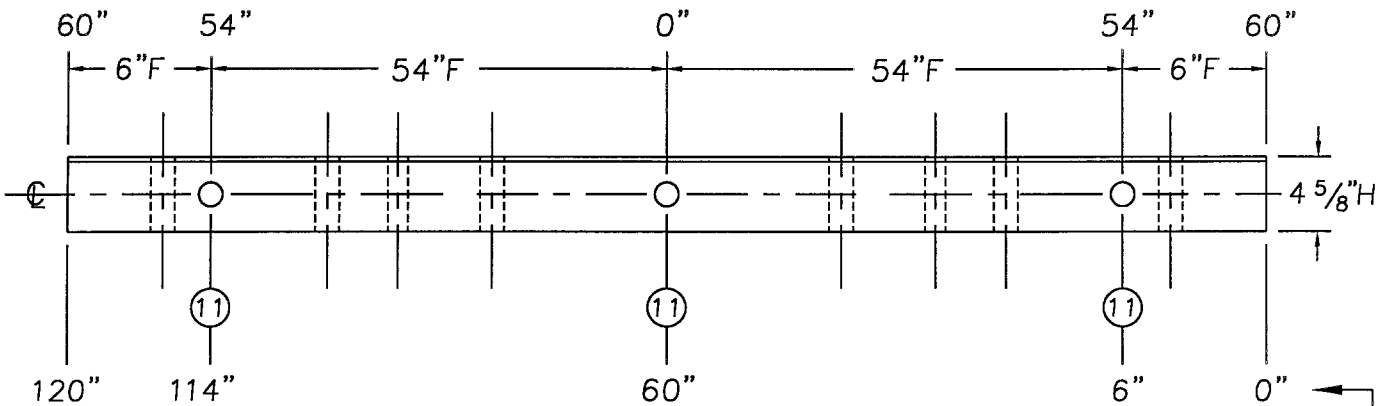
BROOKS Braces are not limited to those noted above. We will furnish any practical span and drop with mounting hole sizes of 9⁹/₁₆", 1¹¹/₁₆", or 1¹³/₁₆". We welcome the opportunity to review your special requirements.

3 5/8" X 4 5/8" X 10'-0"

HOLE LOCATION
FROM RIGHT END



HOLE LOCATION
FROM CENTER LINE



HOLE LOCATION
FROM RIGHT END

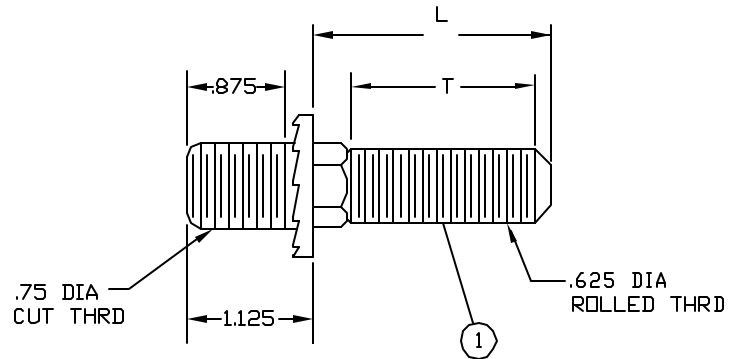
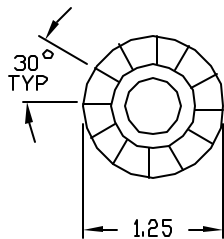
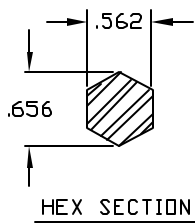
HOLE CODE

TOLERANCES		
NORMAL	GO	NO GO
⑨ = 9/16" ϕ	1/2"	5/8"
⑪ = 1 1/16" ϕ	5/8"	3/4"

TOLERANCES		
	OVER	UNDER
F	1/8"	1/8"
G	1/4"	1/4"
H	1/8"	0"

SPEC REA 1728H-701, 9/93
 REA DWG M-19
 AUTOCAD FILE NO.REM19T05-12-991220

				BROOKS MANUFACTURING CO.			
				P.O. BOX 7, BELLINGHAM, WASHINGTON 98227			
				REA TYPE 05 CROSSARM			
				3 5/8" X 4 5/8" X 10'-0"			
NO.	REVISION	DATE	CK.	DRAWN	APPD.	DATE	DWG. NO.
SUPERSEDES				DM	SDD	12/20/99	REA-M19-TYPE 05



SEE NOTE 3

CATALOG NO.	L	T	ITEM ①	QTY.	QTY.	QTY.	QTY.	QTY.	QTY.
J25247.1	1.75	FULL	25247-A.1	1	1				1

② J139 5/8" SPRING LOCKWASHER

③ J140 3/4" SPRING LOCKWASHER

④ J1075 2 1/4" SQ. WASHER

⑤ J1074 2" SQ. WASHER

⑥ J6563 5/8" SQ. NUT

⑦ J23858 5/8" HEX NUT

NOTES:

- 1) ALL DIMENSIONS ARE REFERENCE AND ARE IN INCHES, EXCEPT AS NOTED
- 2) HOT DIP GALVANIZED (ASTM A-153)
- 3) ADDITIONAL HARDWARE (ITEMS 2 THROUGH 7) TO BE ASSEMBLED WITH THE LINE POST STUD (ITEM 1) AS REQUIRED IN THE TABLE

CUSTOMER DRAWING

UNSPECIFIED DIMENSIONAL TOLERANCES				DATE		CHK.		CATALOG NO.
FRACTIONAL ±	DECIMAL ±	ANGULAR ±						JOSLYN MANUFACTURING CO. 5/8" LINE POST STUD SHORT SHANK ASSEMBLY
<small>THIS DRAWING IS THE PROPERTY OF JOSLYN MANUFACTURING CO. AND SHOULD BE KEPT IN STRICTLY CONFIDENTIAL. NO PART OF THIS DRAWING AND THE INFORMATION CONTAINED HEREIN IS TO BE REPRODUCED, COPIED, OR USED IN ANY MANNER WITHOUT THE WRITTEN CONSENT OF JOSLYN.</small>								
SUPERSEDES:				DATE	NO.	DWG. NO.		25247-C
				7-20-05	JJD	NO.		1 OF 1
				CHECKED	SCALE			

A | B | C | D | E | F

PAPER SIZE		DRAWING NUMBER	
B SIZE	GD-J25248.1		
REV	REVISION DATE	ECO	
A	06-29-12	10655	
B	08-07-12	10683	

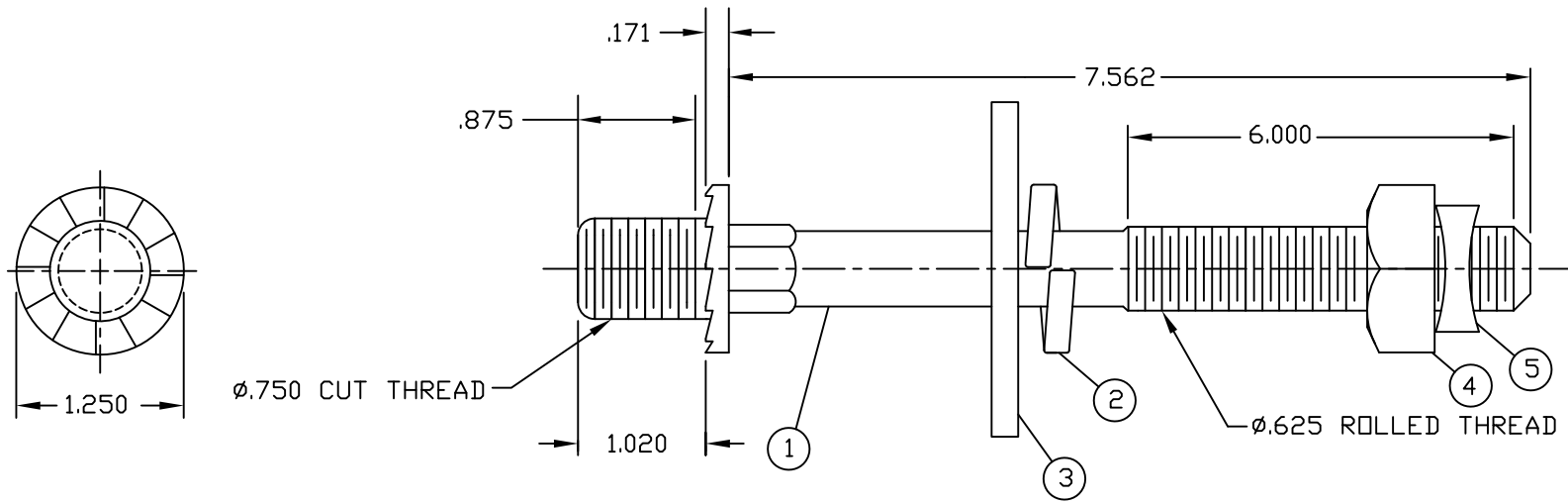


TABLE 1

ITEM	QTY	DESCRIPTION
1	1	LINE POST STUD
2	2	.750 SPRING LOCKWASHER
3	1	2.250 SQUARE WASHER
4	1	.625 SQUARE NUT
5	1	.625 M-F LOCKNUT

NOTES:

- 1) MATERIAL: HOT ROLLED CARBON STEEL
- 2) ALL DIMENSIONS ARE REFERENCE AND ARE IN INCHES.
- 3) ALL ITEMS ARE HOT DIP GALVANIZED PER ASTM A-153.
- 4) ADDITIONAL HARDWARE (ITEMS 2, 3, 4 AND 5) TO BE ASSEMBLED WITH THE LINE POST STUD (ITEM 1) AS SHOWN IN TABLE 1.

PART NO: F500134

This drawing contains confidential information that is the property of MacLean Power, L.L.C. ("MacLean"). Use of MacLean's confidential information without MacLean's express written consent is strictly prohibited and may expose you to legal liability. If you believe that you received this material in error, please destroy it or return it to "MacLean Power, L.L.C., 11411 Addison, Franklin Park, Illinois 60131, USA."

DRAWING-COMPUTER LOCATION

TOLERANCES UNLESS SPECIFIED	
inches	
0.XX	----
0.XXX	----
ANGLE	----



DRAWN BY	ENGINEER	CHECKER	CATALOG #	SCALE	DESIGN DATE
PDR	RRL	JBB	J25248.1	NTS	06-29-12
DRAWING TITLE / DESCRIPTION					DRAWING NUMBER
5/8" LINE POST STUD LONG SHANK ASSEMBLY					GD-J25248.1

Deadend

By [ANDERSON](#)
Catalog # [BDE46N](#)

Deadend, Straight line, Bronze, #6 SOL - 4/0 SOL CU, Conductor Range 0.16- 0.46 in, Fitting: None.



*Representative Image

Features

- For use with copper or CopperWeld conductor
- Add "S" for socket or "C" for clevis fitting options

General

Catalog Number	BDE46N
Fitting Type	None
Material	Bronze; Steel
Material - Body	Bronze Alloy
Material - Bolt	Galvanized Steel
Material - Hardware	Galvanized Steel
Product Category	Straight Line
Strength Rating - Ultimate	6000 lb
Body	
Style	BDE
Type	Bolted
U-Bolts	2 in
UPC	096359291572

Dimensions

Diameter - Bolt	0.38 in
Length	7.25 in

Weight	2.14 lb
Width	0.75 in

Conductor Related

Conductor Diameter - Maximum	0.46
Conductor Diameter - Minimum	0.16
Conductor Diameter Range	0.16 - 0.46

Certifications And Compliance

Buy America(n) Qualified	TAA Compliant (All status valid till December 2024)
--------------------------	---

Logistics

Pallet Quantity	405
-----------------	-----

Product Assets

[Catalogs - Distribution Connectors](#)
[Literature - Ropes Course Industry Letter \(April 2021\)](#)
[Sales Drawings - Straight Deadend Strain Clamp \(C-1711\)](#)
[Specifications - BDE46N](#)



- Lower ecotoxicity
- No dioxins, furans or heavy metals
- 50-year limited warranty

THE PERFECT TREATED WOOD CROSSARM

LONG-TERM EFFICACY COMBINED WITH LOW ENVIRONMENTAL IMPACT

The first major innovation in treated crossarm protection in years, with decades of performance data.

WHAT MAKES THE PERFECT CROSSARM?

- The active ingredient in UltraARM™ NXT is not a Restricted Use Pesticide.
- The active ingredient in UltraARM NXT is not persistent in soil.
- UltraARM NXT treated crossarms have low to no odor.
- The active ingredient in UltraARM NXT is also used in Ecolife®, one of the most popular and environmentally-advanced preservatives used in decks across America.
- UltraARM NXT uses less energy, fossil fuels, and water to produce; with lower ecotoxicity than other materials used in crossarms.
- The UltraARM NXT crossarm has a wider range of disposal options at end of life.
- UltraARM NXT is the only oil-borne preservative treated crossarm with a 50-year limited warranty.





The only oil borne preservative whose active ingredient is also used in residential decks.

About the Active Ingredient - DCOI

The Electric Power Research Institute (EPRI), the leading utility industry research group initiated tests conducted by Mississippi State University (MSU), a leader in wood preservative research. MSU compiled 28 years of field data on DCOI, the active ingredient in UltraARM NXT, that showed DCOI (4,5-Dichloro-2-n-octyl-4-isothiazolin-3-one) is an extremely effective wood preservative.

DCOI earned the EPA's Presidential Green Chemistry Challenge Award in 1996 for its use as an alternative to tributyl tin (TBTO) compounds in marine antifoulant coatings.

DCOI is used in, and currently sold as:

- a marine antifoulant
- an algacide for cooling towers
- a wood preservative fungicide component in the AWPA standardized EL2 formulation known as EcoLife®. EcoLife is the best performing non-metal based above ground residential deck preservative on the market.
- DCOI is very effective when used as a fungicide/bactericide for in-can paint formulations.

Lower Environmental Impact

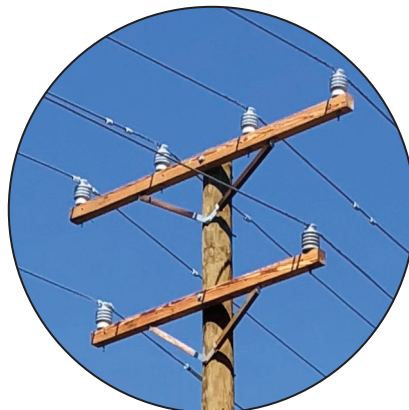
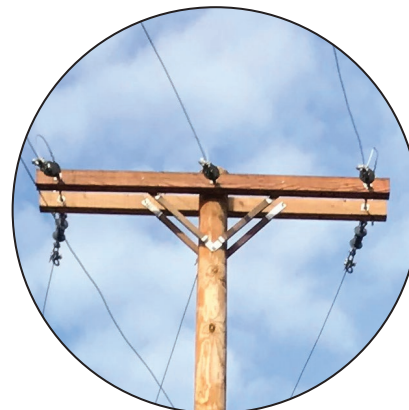
- The effectiveness of DCOI at lower retentions translates into less chemicals overall in the environment.
- DCOI is non-persistent in the soil and breaks down readily into harmless compounds.
- Compared to other materials such as steel or concrete, DCOI treated UltraARM NXT crossarms use less energy, fossil fuels and water; while producing less acid rain, ecotoxicity and greenhouse gases.
- DCOI is not a Restricted Use Pesticide.
- At the end of life, instead of disposing in increasingly restrictive and expensive landfills, UltraARM NXT crossarms have a wider range of disposal options.

Warranty

UltraARM NXT is the only oil-borne preserved crossarm in the industry with a warranty. Viance confidently warrants UltraARM NXT against structural damage caused by termites and decay for 50 years. See the UltraARM NXT Warranty for terms and conditions.

Crossarm Hardware

Pole hardware that is suitable for penta and CCA crossarms is also suitable for UltraARM NXT crossarms.



UltraARM™ NXT treated wood products are produced by independently owned and operated pressure-treating wood facilities. UltraARM™ NXT and Viance® are registered trademarks of Viance, LLC. All logos and trademarks are exclusive property of their respective owners. © Viance, LLC 2019. All rights reserved. PMG 2101 042019

VIANCE®

Viance - Treated Wood Solutions, 8001 IBM Drive, Charlotte, NC 28262 | For more information, call 1-800-421-8661 or visit treatedwood.com.